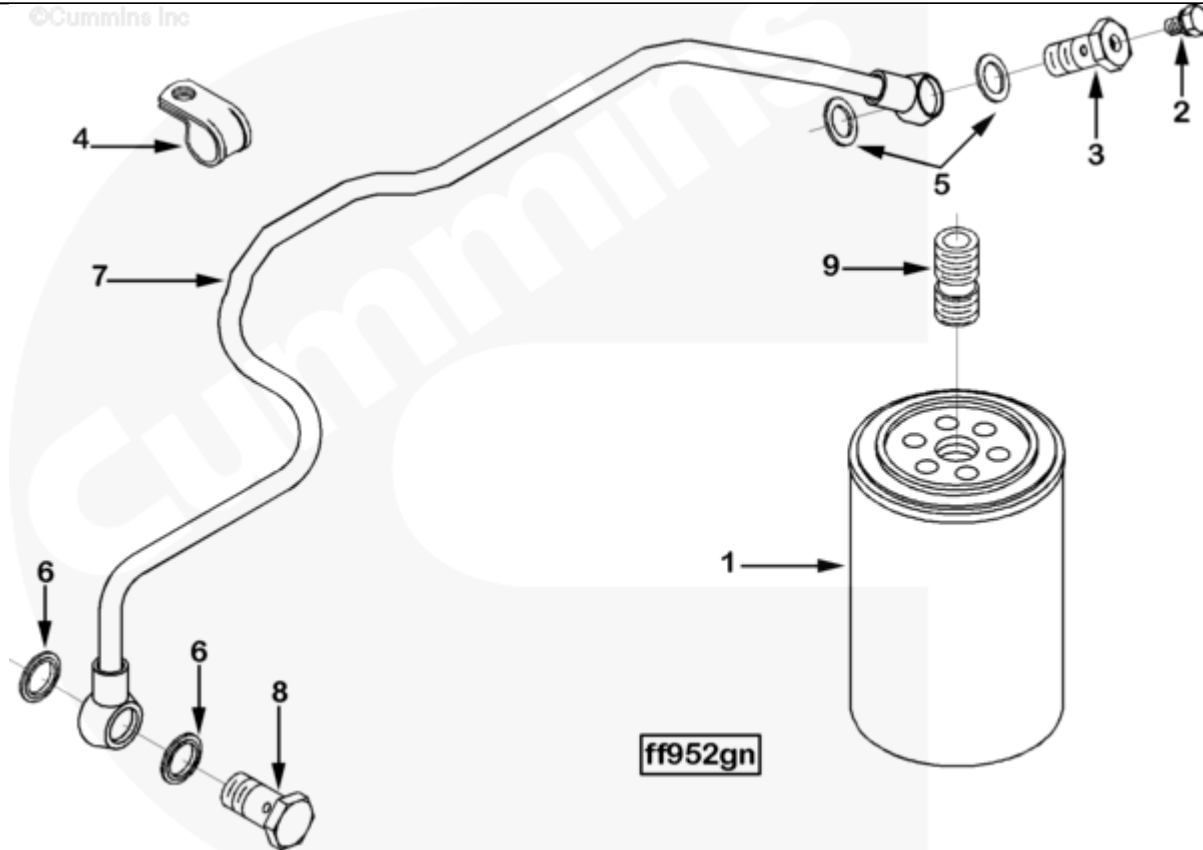




Parts Catalog - Option Detail

Electronic Parts Catalog - Option Detail				
Option	Group	Graphic	Film Card	Date
FF9089	06.04	ff952gn	Z	01-MAY-95
Engines	6C8.3, C GAS PLUS CM556, G8.3, G8.3 CM558, GTA8.3 CM558, ISC CM2150, ISC CM554, ISC CM850, ISC8.3 CM2250, ISC8.3 G CM2180 C101, ISL CM2150, ISL CM554, ISL CM850, ISL G CM2180, ISL8.9 CM2150 L110, ISL8.9 CM2880 L112, ISL9 CM2150 SN, ISL9 CM2250, ISL9 CM2350 L101, ISL9 CM2350 L111, ISLE4 CM850, L GAS PLUS CM556, L8.9, L8.9 L121, L8.9G CMOH2.0 L125B, L9 CM2350 L116B, L9 CM2350 L119B, L9 CM2350 L120C, L9 CM2350 L123B, L9.3 L105, L9.5 L117, L9N CM2380 L124B, QSC8.3 CM2250, QSC8.3 CM2880 C102, QSC8.3 CM554, QSC8.3 CM850(CM2850), QSL9 CM2250, QSL9 CM2250 L115, QSL9 CM2350 L102, QSL9 CM2350 L107, QSL9 CM2350 L118, QSL9 CM2350 L122, QSL9 CM554, QSL9 CM850(CM2850), QSL9 G CM558, QSL9 M CM2250 L106, QSL9.3 CM2880 L113			



SMALL | MEDIUM | LARGE

Cart	Ref No	Part Number	Part Description	Required	Remarks
View My Cart					
		FF9089	Fuel Filter		Fuel Filter...(More)
					Element Type: Single
					Water Separator Provision:
					No

					Mounting Angularity: To Be
					Determined
					Element Style: Spin on
					Installation Responsibility:
					Cummins
					Filter Location: #4 cylinder
					Absolute Filtration
					(Microns): 25
					Compatible with Lift Pump:
					Yes
					Air Heater Connection
					Provided: No
					Filter Inlet Diameter:
					1/4 inch
					Engine Family: C Series
					Engine Cylinders: 6
					Seawater Aftercooled
<input type="checkbox"/>	1	3903640	Fuel Filter	1	
<input type="checkbox"/>	2	3905403	Captive Washer Cap Screw	1	
<input type="checkbox"/>	3	3911446	Banjo Connector Screw	1	M12 X 1.50 X 24.
<input type="checkbox"/>	4	3914711	Clip	1	
	5	3918191	Sealing Washer	2	Purchase 3935171.
<input type="checkbox"/>	6	3918192	Sealing Washer	2	M14
<input type="checkbox"/>	7	3921313	Fuel Supply Tube	1	
<input type="checkbox"/>	8	3924725	Banjo Connector Screw	1	M14 X 1.50 X 26.
<input type="checkbox"/>	9	3925954	Filter Head Adapter	1	M16 x 1.50 (Both Ends) x 33.5